

# Newsletter

Volume 21 - Issue 1

January 2005

## Meeting Review: December 2004

The first word that comes to mind is "**WOW!**" We had a magnificent turn out and everyone appeared to have a great time. There was an absolute bounty of treats to please and tease every palate -- if anyone went home hungry they had only themselves to blame.

2004's toy total was hard to tally due to a lack of proper procedure (*We promise to do a better job in the future!*) but there were well over 600 toys of all sizes, shapes and styles along with a good supply of canned goods, paper products, etc. for the three area charities in attendance.

Each year we welcome representatives from Operation Christmas of Bolingbrook & Romeoville, Batavia Access of Batavia and Humanitarian Service Project of West Chicago.

Sherri Kahout of Operation Christmas presented Gail Madden with an "Honorary Angel" certificate to for her continued work coordinating our annual donations.



Jim Hildreth, resident Elf, created a very impressive 275 toys and he tells me he has already started on the ones for next year!

We also send a special "Thanks" to friends at **DuPage Woodworking Club** for the 90+ great toys made by a few of their unnamed "Elves" who wanted to be part of our project.

Thanks to Jim, DuPage and all of you for helping make 2004 a FVWWC Christmas to remember!

Before the drawings for some very nice items, we were entertained by **Patti Ecker**, local folk artist. She sang, played a variety of instruments and added stories and bits of historic data for an ensemble designed



to both enlighten and entertain us. We even joined in on some of the traditional carols and had an old time sing-along!

Check out Patti, her music and next appearances at:

<http://www.pattisongs.com>

The evening ended with a few words of gratitude from Ron Gilkerson and a room full of hugs and handshakes for a job well done by all and loads of good wishes for the New Year!



**Join us in January when we start the fun all over again!**

### Table of Contents

|                          |                         |
|--------------------------|-------------------------|
| EVENTS CALENDAR.....2    | MEMBERSHIP REPORT.....2 |
| CLASSIFIED ADS.....2     | MONTHLY DRAWINGS.....3  |
| 5 YEARS & COUNTING.....2 | SHOW & TELL.....3       |
| CLUB CONTACT LIST.....2  | MAP.....BKPG            |

## Events Calendar

- Jan 4th . Tue..7:30 p.m..General Meeting: Scroll Saw Techniques with Don Burns
- Jan 19thWed. 9:00 a.m..Breakfast Club: The Red Apple Restaurant at 414 S Schmale Rd - Carol Stream, IL -- *Everyone is invited to stop join us!*
- Feb 1st . Tue..7:30 p.m..General Meeting: Table Saw Blades presented by FVWWC's Ken Runyan
- Mar 1st . Tue..7:30 p.m..General Meeting: Lathe Turnings with Rich Rossio
- Mar 5th ..Sat.....TBA.....Workshop: Lathe Turning Basics by Rich Rossio

## Membership Update

### 2005 Membership

**Renewal** is in full swing! Fill out a membership renewal form and submit it with your \$25 to the Membership Committee at the next meeting or mail to:



### FVWWC

**PO Box 1041**

**Batavia, IL 60510**

**James Nellis, Membership**

## CLASSIFIEDS

### YOUR AD HERE

➤ **Free to Members:** Contact (630) 897-4877, woodworkers@fvwwc.org or Fax your ad to (630) 844-3385 at least three weeks prior to the meeting date to be included.

Editor, Linda G. Christensen

## 5 Years and Counting!

The following members are recognized on their 5th FVWWC anniversary:

- Charles & Linda Christensen - Aurora - 05-Oct-99
- James Nellis - Batavia - 05-Oct-99
- Fred Ruh - Batavia - 05-Oct-99
- Robert Satterfield - West Chicago - 05-Oct-99
- Paul Dehnert - Woodridge - 02-Nov-99
- Ken Weddle - Aurora - 01-Feb-00
- Robert Hatzel - Geneva - 07-Mar-00
- Mike Kalscheur - Wheaton - 02-May-00
- Bernie Kotera - Huntley - 02-May-00

Thanks for your support and here's to the next five years of continued participation!

**The FVWWC Board & Fellow Members**

## FVWWC Officers

|                            |  |
|----------------------------|--|
| President .....            | <b>Ron Gilkerson</b><br>RonGilker@hotmail.com<br>(630) 879-8756    |
| Vice President             | <b>Dick Secrest</b><br>rsecrest@atcyber.net<br>(815) 522-2478      |
| Treasurer .....            | <b>John Roloff</b><br>Jnroloff@aol.com<br>(630) 879-7668           |
| Secretary .....            | <b>Darrel Anderson</b>   |
| Program Committee.....     | <b>Tom Sharp</b><br>thomas.sharp@sbcglobal.net<br>(630) 879-7578   |
|                            | <b>Mike Brady</b>  |
| Membership.....            | <b>James Nellis</b><br>Roger Vachon                                |
| Show Chairman.....         | <b>Larry McHone</b><br>valarry@earthlink.net<br>(815) 824-8038     |
| Toy Drive Coordinator .... | <b>Gail Madden</b>   |
| Editor/Webmaster .....     | <b>Linda Christensen</b><br>woodworkers@fvwwc.org<br>(630)897-4877 |
| Librarian .....            | <b>Cheryl Miller</b>   |
| Raffles/Photographer ....  | <b>Charlie Christensen</b>   |
| Member-at-Large.....       | <b>Mike Madden</b>   |
| Show & Tell MC.....        | <b>Matt Gauntt</b>   |
| Audio/Visual Asst. ....    | <b>Will Sharp</b>  |
| Host.....                  | <b>Bill Bailey</b>   |
| Greeter .....              | <b>Jim Hildreth</b>  |

# FVWWC MONTHLY DRAWING

In December we had our annual special drawings from the tickets saved from the monthly tickets sold during the year. For Christmas it is no sales, just winners! Lucky winners at the 2004 Christmas meeting included **Wally Quanstrom** who won the big prize of a **\$100 AmEx Gift Cheque**.

A number of others who were awarded **\$50 or \$25 AmEx Gift Cheque** and then there was lucky **Dave Kline** who won one of each for a total of **\$75 in prizes!**

In December, unlike other months, you do not have to be present to win so those who were not present at the party will be called upon in January to take possession of their prize.

Again in January we'll have a choice of 3 (three) 1st Prize items. The 3 (Three) items offered are pictured below. **Please Note: Only 1 (One) or these three items will be awarded. Those items not chosen will be offered again in February as possible "choices"!**

**Dremel #8000-01  
Lithium-Ion Cordless &  
Accessory Kit Combo**



<http://www.dremel.com>

**\$100 AmEx Gift Cheque  
Same as cash -- Good  
everywhere!**



<http://www.aeis.com/>

**Porter-Cable CPFAC2600P  
Air Compressor**



<http://www.portercable.com/>

Thank you for your continued support of our club! In 2004 we were able to add a to the club kitty through the profits from the monthly drawings, occasional silent auctions and other sales thanks to the generosity of our membership.

2005 should be another record year... ..See you at the meeting!

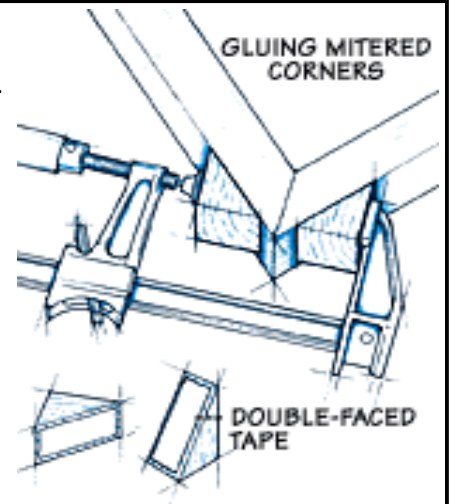
**Charlie Christensen,  
Raffle Chairman**



## Using Carpet Tape

I've found countless uses for double-faced cloth carpet tape over the years. Here are some of my favorites:

- Attach patterns made of plywood or hardboard to your workpiece with carpet tape. Rough-cut the board close to the pattern, then use your router and a pattern bit with a bearing that follows the template to rout the board to final shape.
- Stick carpet tape on the flaps of hinges to keep them from moving while you mark their location, drill screw holes, and position doors.
- Make triangular clamping blocks and stick them to the outside edges of mitered corners with carpet tape. Then use regular straight clamps across the blocks for the glue-up.
- To align false fronts on drawers, push the drawer carcass into its opening in the cabinet. Stick carpet tape to the back face of the drawer front. Then position the drawer front in the opening, making sure you have even gaps on all sides, and push the drawer front against the carcass. Pull out the drawer and screw on the front. You can leave the tape in place.
- Attach auxiliary fences to your table saw or router table fence with carpet tape. They hold tight, and there are no clamps to get in the way.



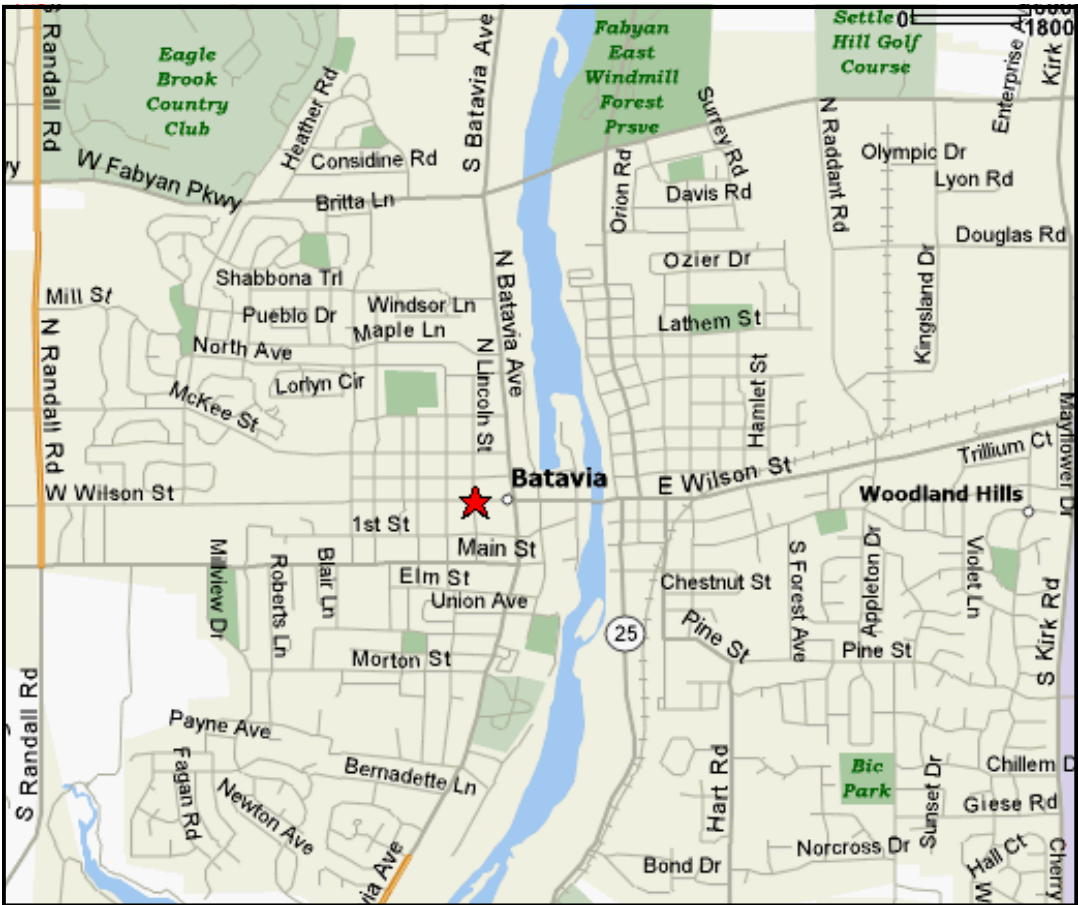
Keith Hennessey  
Des Moines, IA

**WoodNet.net**  
The Woodworker's Online Resource



**Fox Valley Woodworkers Club, Inc.**  
**PO Box 1041**  
**Batavia, IL 60510-1041**

**FIRST CLASS MAIL**



# **FWWWC**

**Meets at:  
Bethany  
Lutheran  
Church**

**8 S Lincoln St.  
Batavia, IL**

**1st Tuesday of  
each Month at  
7:30 P.M.**



**North**

***Visitors  
Welcome!***